

ADR OD



Suitable for optical, lens, high quality transparent pmma and polycarbonate applications

Main Features

- Equipped with HEPA filter H14.
- Build with silicon free materials.
- Material in contact with special grade of stainless steel electro polished
- Suitable for cleaning room, compressed air free and water free
- Very low temperature regeneration, very low heating load in climate-controlled room.
- Special solid desiccants, no more contamination due to the desiccant crumble-away effect.
- Suitable with low drying processing temperature starting from 30 °C (OPTIONAL)



Drying



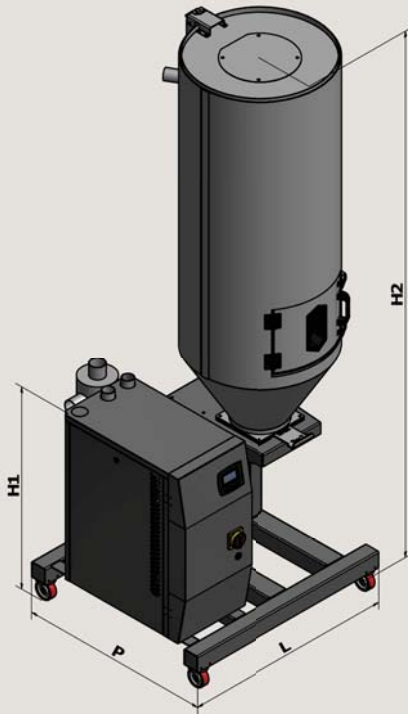
Conveying



Dosing



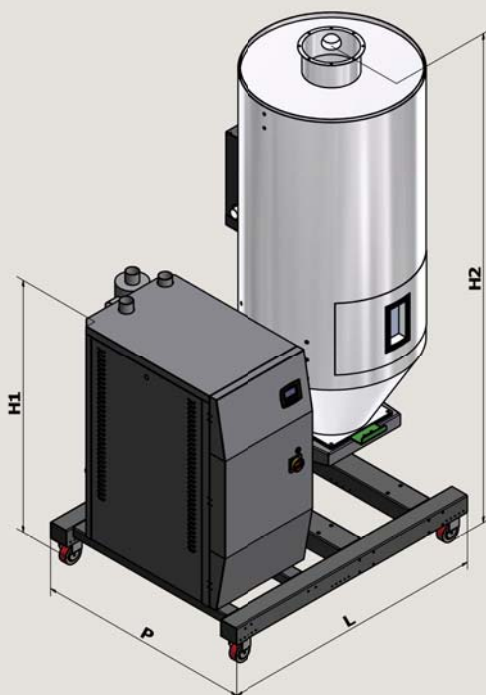
Storage



ADR 50/80 OD

Dimensions

Hopper size	L mm	P mm	H1 mm	H2 mm
75 Liters	940	780	905	1670
100 Liters	940	780	905	1880
150 Liters	940	780	905	2020
200 Liters	940	780	905	2300
AIR HOSE diameter (mm)			50	



ADR 160 OD

Dimensions

Hopper size	L mm	P mm	H1 mm	H2 mm
150 LITERS	1440	1155	1380	1919
200 LITERS	1440	1155	1380	2209
300 LITERS	1440	1155	1380	2388
400 LITERS	1440	1155	1380	2638
AIR HOSE diameter (mm)			63.5	



Drying



Conveying



Dosing



Storage

Technical Specifications

Model	Temp	Air flow	Regen. Blower	Heating	Power installed	Dew Point	Weight
ADR 14 OD	55 - 180°C	3 - 14 m3/h	1,5 - 5 m3/h	0,450 KW	0,950 KW	0 - 50°C	15 Kg
ADR 25 OD	55 - 160°C	6 - 25 m3/h	3 - 10 m3/h	1,0 KW	2,12 KW	0 - 50°C	27 Kg
ADR 50 / W 50 OD	55 - 160°C	20 - 50 m3/h	5 - 15 m3/h	2,5 KW	4,21 KW	0 - 55°C	52 Kg
ADR 80 / W 80 OD	55 - 160°C	30 - 80 m3/h	5 - 15 m3/h	3,5 KW	5,5 KW	0 - 55°C	55 Kg
ADR 160 OD	55 - 160°C	75 - 160 m3/h	10 - 60 m3/h	7 KW	11,8 KW	0 - 60°C	137 Kg

Energy Consumption

Material	KWh/Kg	€/Kg ⁽¹⁾
ABS	0,06	0,0062
PA6	0,07	0,0079
PC	0,08	0,0087

Calculated with a Dew Point @-40 contact us for a more specific calculation
 (1) €/kWh = 0,11